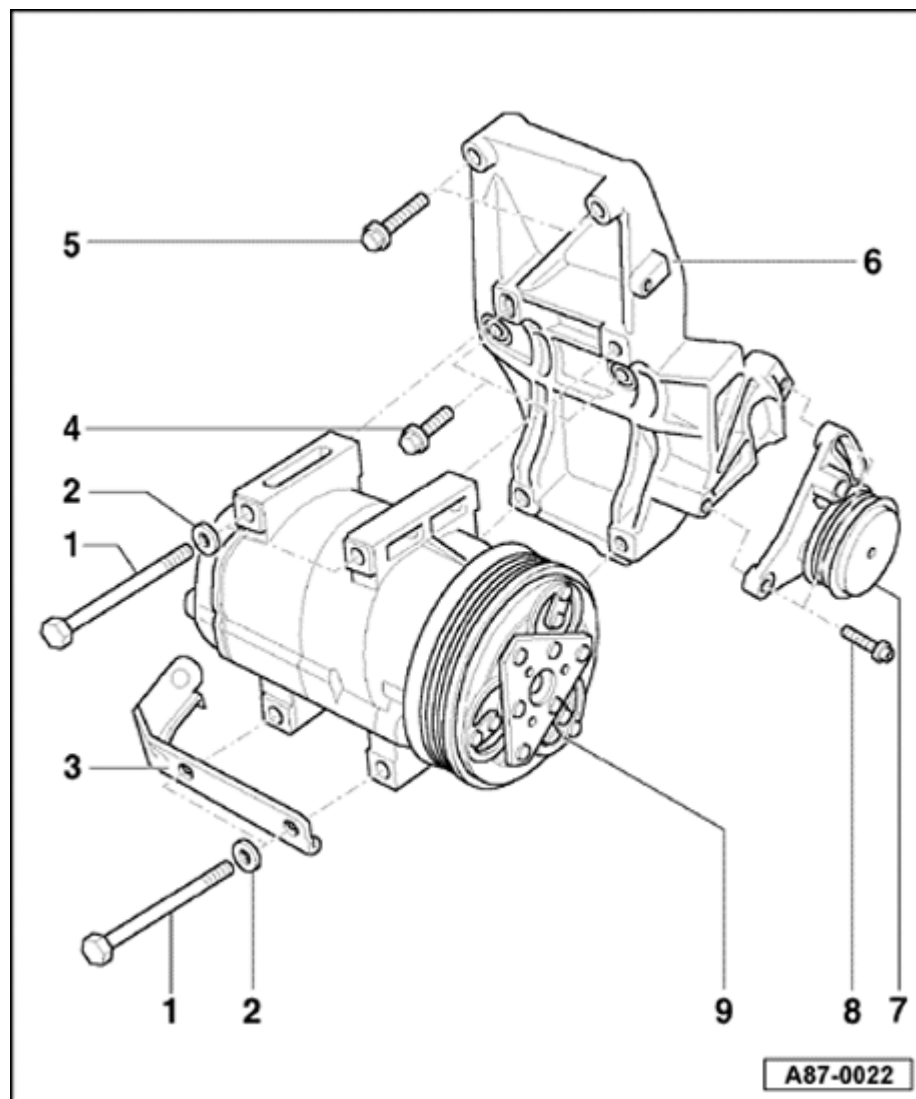


87-76



A/C compressor brackets

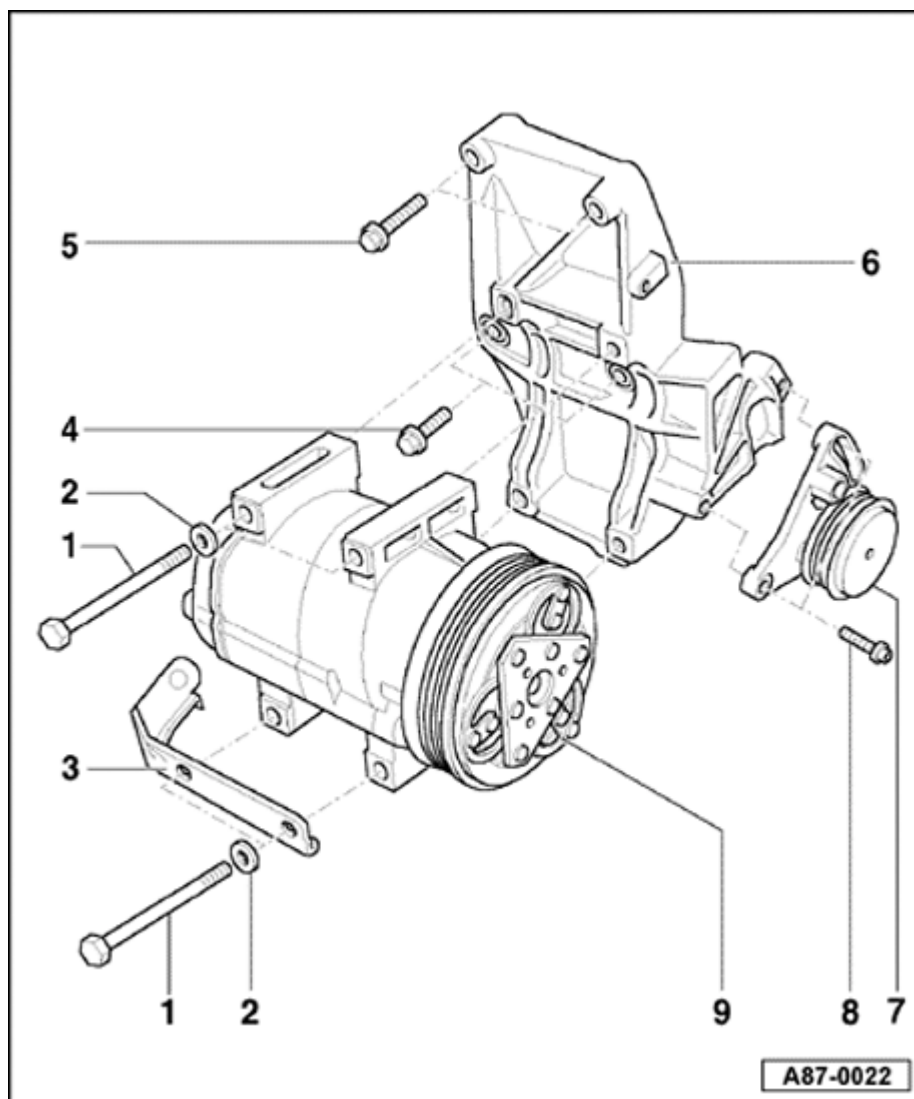
A/C compressor bracket (4-cyl. engine), removing and installing

- Remove front noise insulation panel under engine, detach complete front bumper/grille assembly ("service position") ⇒ Repair Manual, Body Exterior, Repair Groups 50 and 63.
- Remove ribbed drive belt ⇒ [page 87-84](#) .

CAUTION!

- ♦ **Do not discharge refrigerant system and do not disconnect refrigerant hoses from compressor unless removing or replacing compressor.**
- ♦ **Mark running direction of ribbed belt before removing (if belt is installed in the opposite running direction, belt damage may result.**
- ♦ **After loosening/removing compressor, attach to frame member e.g. with wire; do not suspend compressor from coolant hoses.**

87-77

**1 - Bolt**

- ◆ 25 Nm (18 ft lb)

2 - Washer**3 - Refrigerant hose bracket**

- ◆ Attach to refrigerant hose clamp first

4 - Combination screw and washer assembly

- ◆ 25 Nm (18 ft lb)

5 - Combination screw and washer assembly

- ◆ 25 Nm (18 ft lb)

6 - Compressor bracket

- ◆ Check compressor centering bushing for correct fit

7 - Tensioning roller

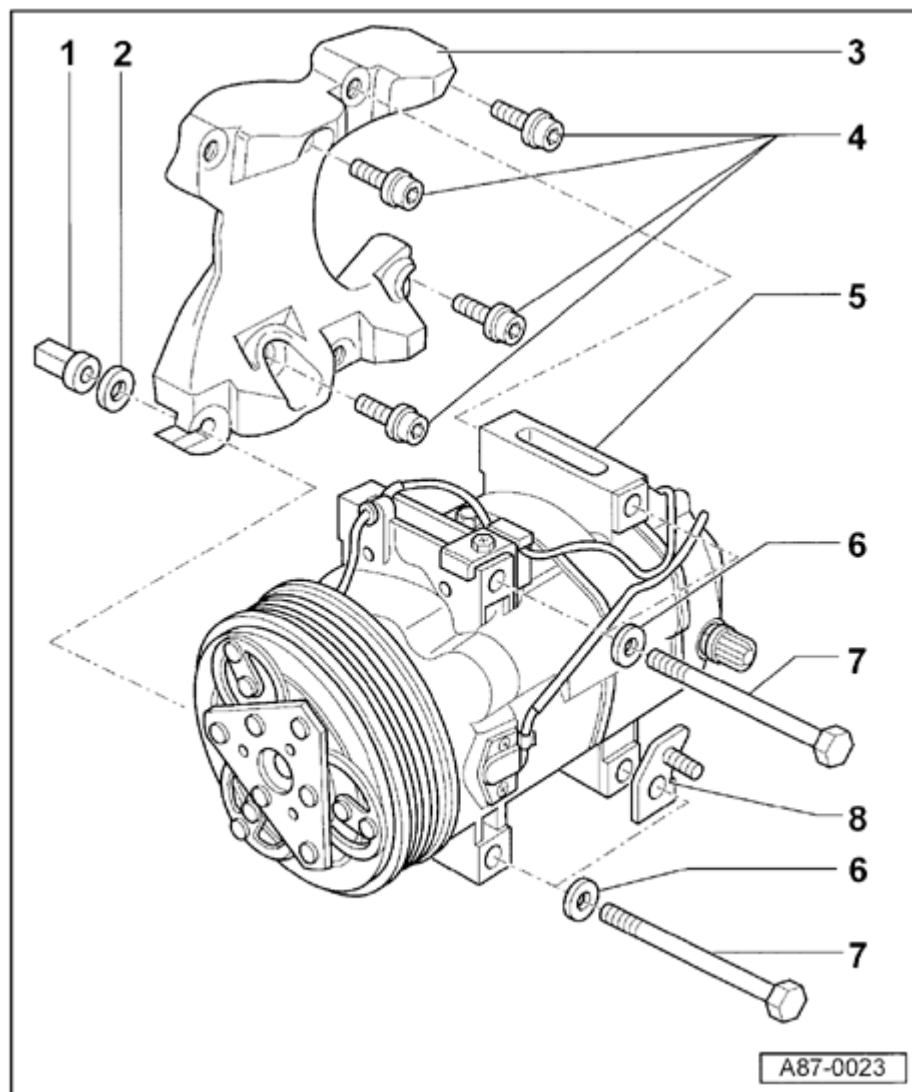
- ◆ For ribbed drive belt
- ◆ Ribbed drive belt, removing and installing
⇒ [page 87-84](#)

8 - Hex socket bolt with washer

- ◆ 20 Nm (15 ft lb)

9 - Compressor with magnetic clutch

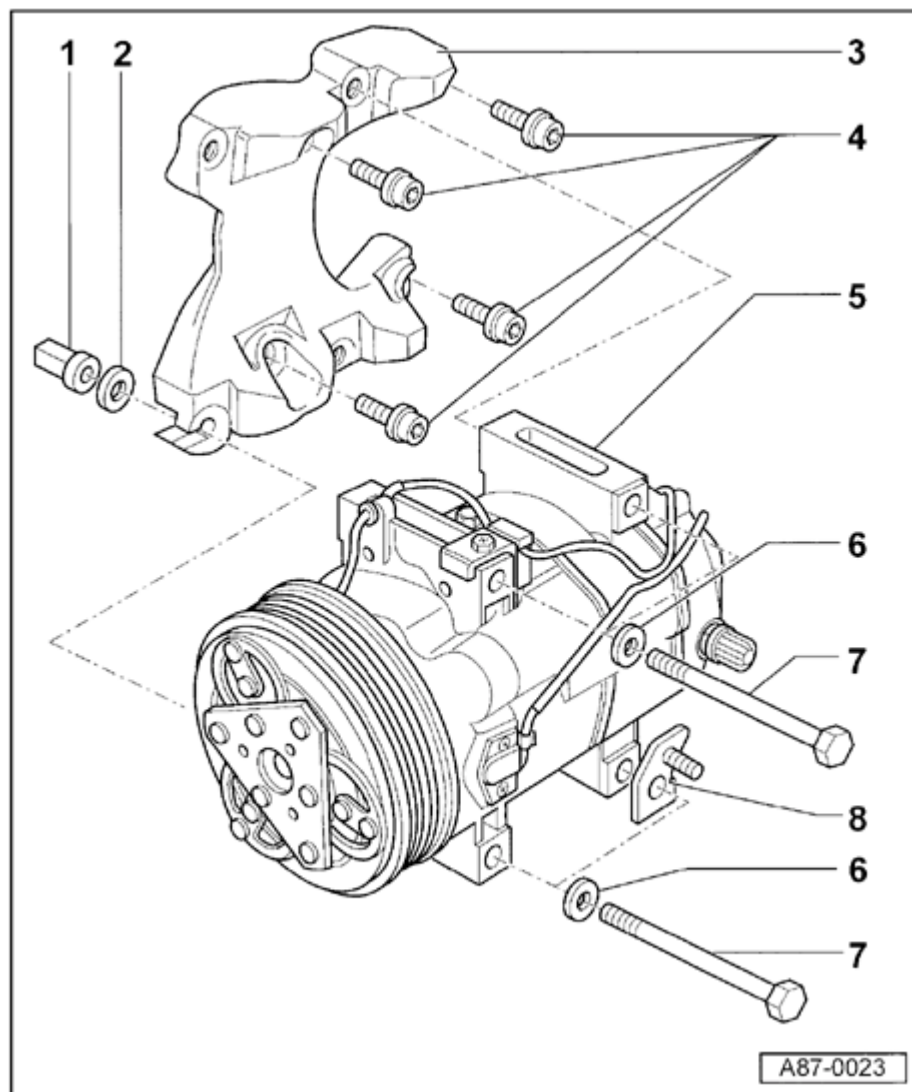
87-78



A/C compressor bracket (6-cyl. engine - Zexel compressor), removing and installing

- Remove front noise insulation panel under engine, and detach complete front bumper/grille assembly (service position) ⇒ Repair Manual, Body Exterior, Repair Groups 50 and 63
- Remove ribbed belt ⇒ Repair Manual, General Engine, Repair Group 13
- Remove oil filter ⇒ Repair Manual, General Engine, Repair Group 17.

87-79

**CAUTION!**

- ◆ **Do not discharge refrigerant system and do not disconnect refrigerant hoses from compressor unless removing or replacing compressor.**
- ◆ **Mark running direction of ribbed belt before removing (if belt is installed in the opposite running direction, belt damage may result).**
- ◆ **Cover sealing surface for oil cooler on engine block before removing compressor.**
- ◆ **After loosening/removing compressor, attach to frame member e.g. with wire; do not suspend compressor from coolant hoses.**

1 - Nut

2 - Washer

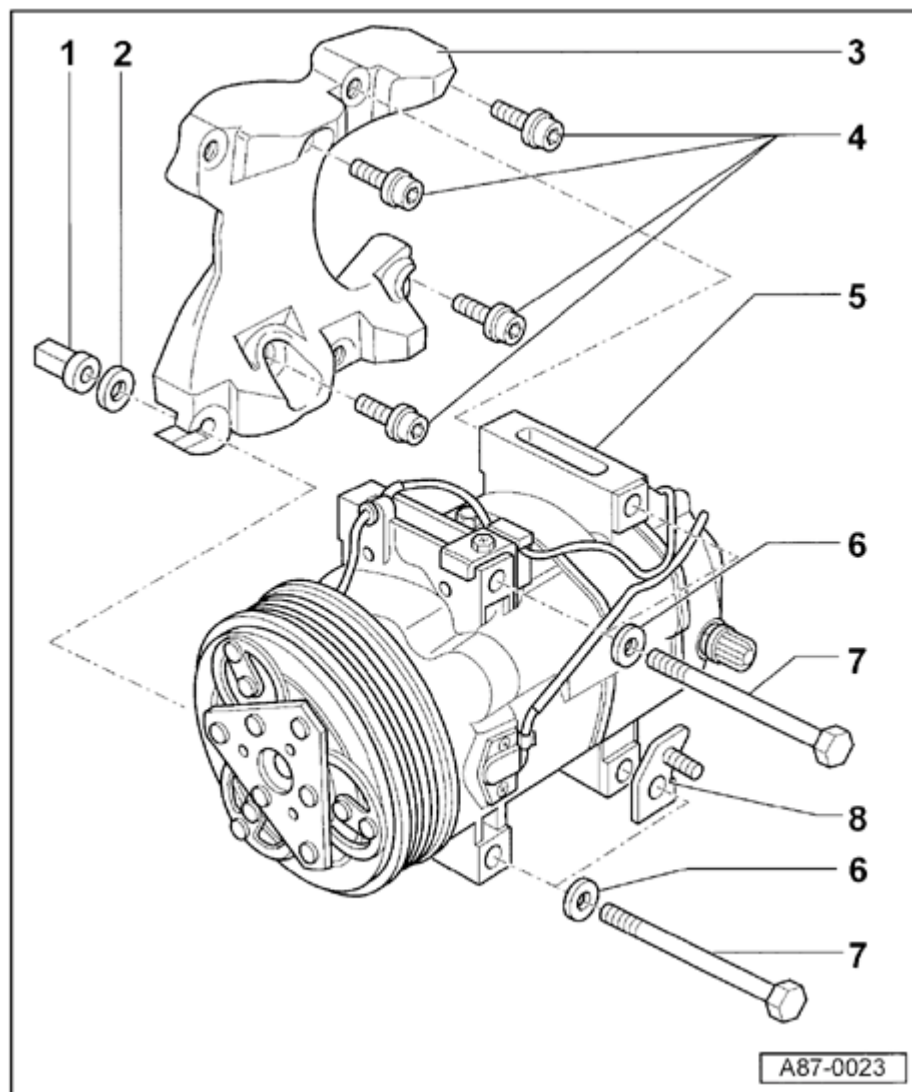
3 - Compressor mounting bracket

4 - Hex socket bolt with washer

◆ 25 Nm (18 ft lb)

5 - Compressor with clutch

87-80



6 - Washer

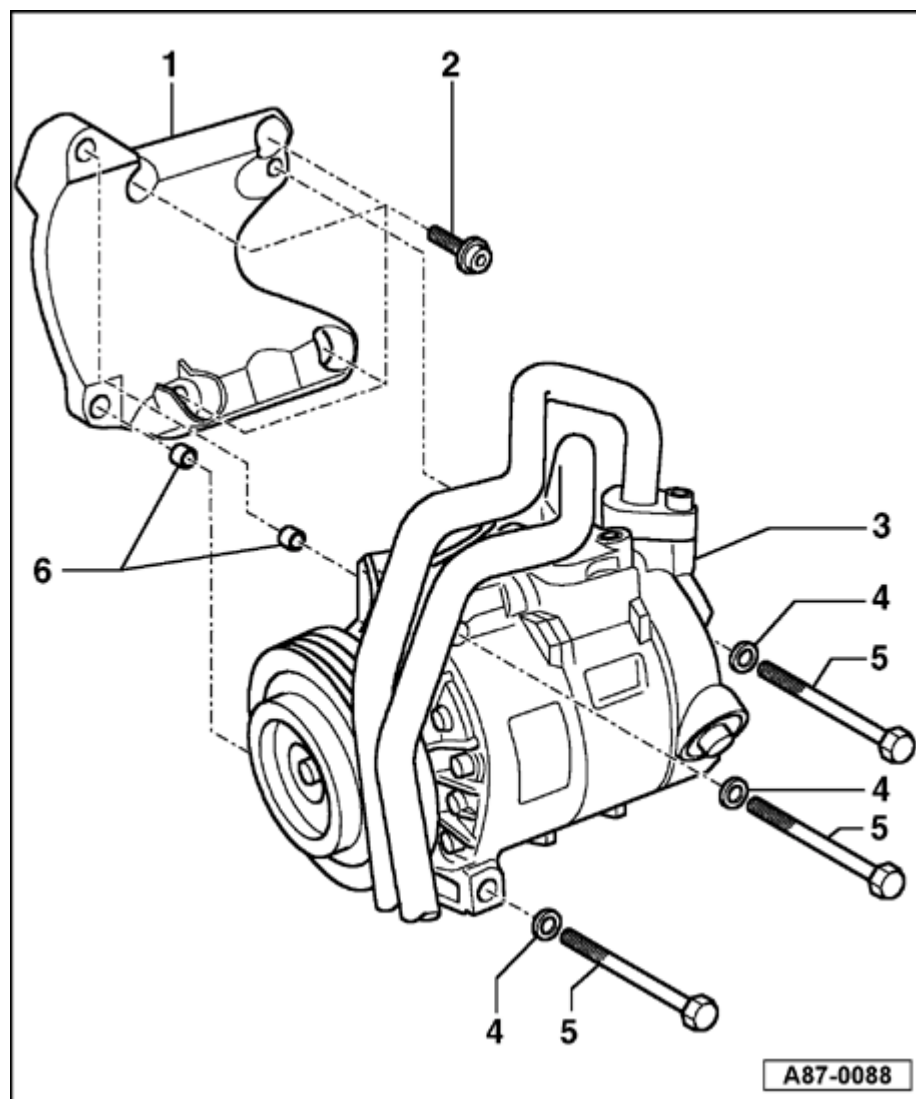
7 - Bolt

◆ 25 Nm (18 ft lb)

8 - Refrigerant hose bracket

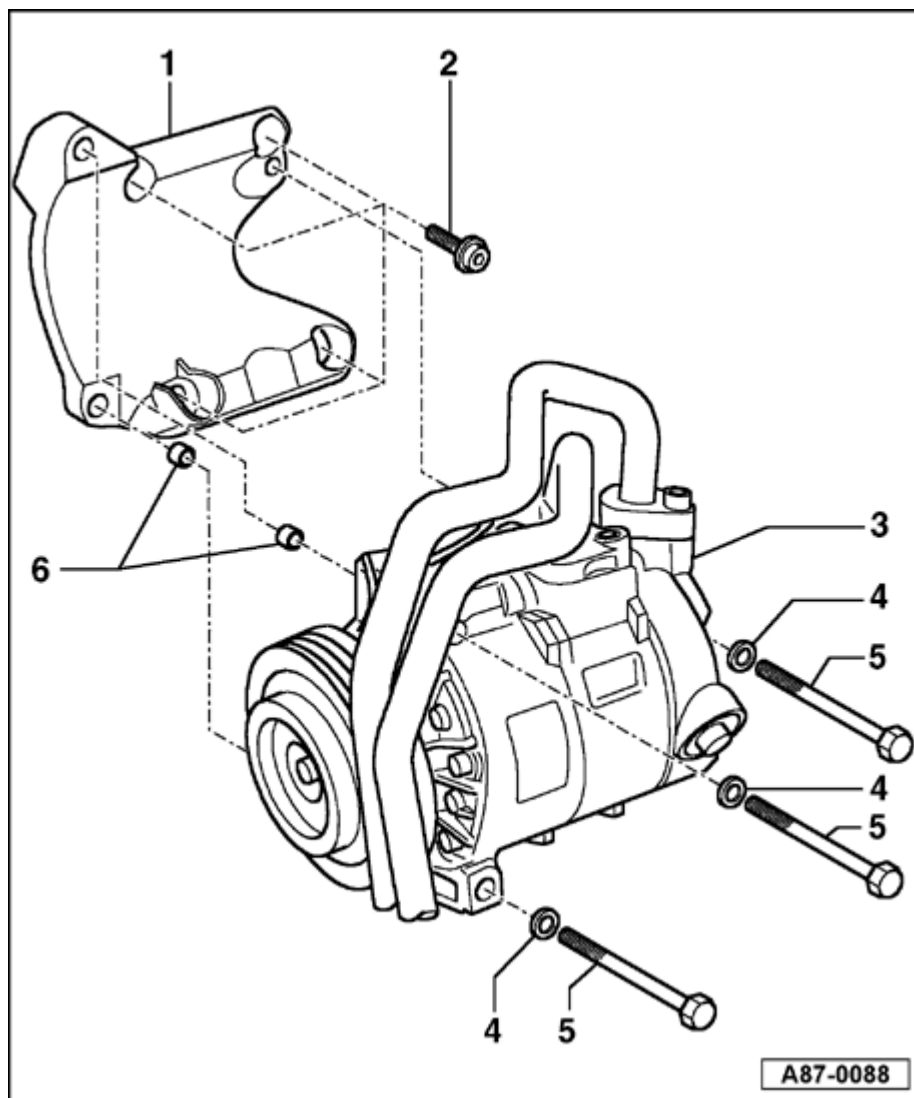
◆ Attach to refrigerant hose clip first

87-81



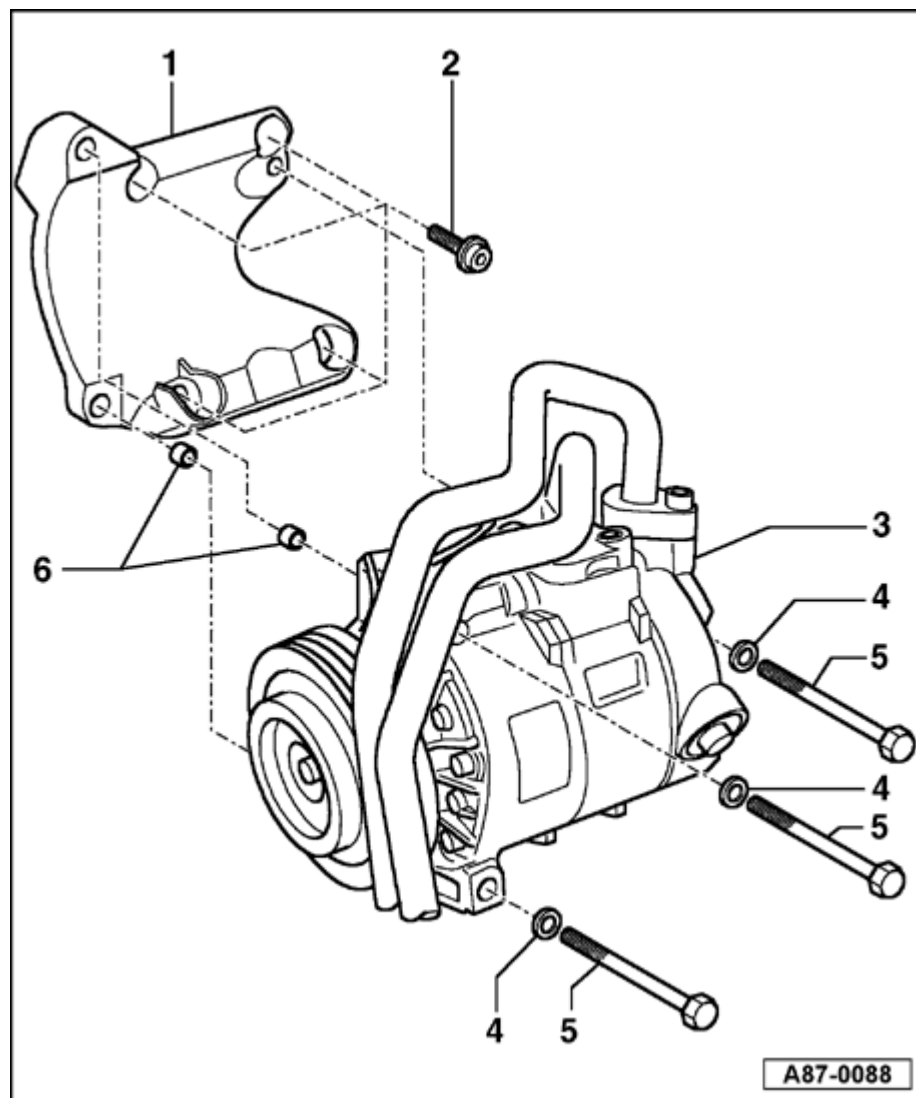
A/C compressor bracket, (6-cyl. engine - Nippondenso compressor), removing and installing

- Remove front noise insulation panel under engine, and detach complete front bumper/grille assembly (service position) ⇒ Repair Manual, Body Exterior, Repair Groups 50 and 63
- Remove ribbed belt ⇒ Repair Manual, General Engine, Repair Group 13
- Remove oil filter ⇒ Repair Manual, General Engine, Repair Group 17

**CAUTION!**

- ◆ **Do not discharge refrigerant system and do not disconnect refrigerant hoses from compressor unless removing or replacing compressor.**
- ◆ **Mark running direction of ribbed belt before removing (if belt is installed in the opposite running direction, belt damage may result).**
- ◆ **Cover sealing surface for oil cooler on engine block before removing compressor.**
- ◆ **After loosening/removing compressor, attach to frame member e.g. with wire; do not suspend compressor from coolant hoses.**

87-83



1 - Compressor mounting bracket

2 - Hex socket bolt with washer

◆ 25 Nm (18 ft lb)

3 - Compressor with clutch (Nippondenso)

4 - Washer

5 - Bolt

◆ 25 Nm (18 ft lb)

6 - Spacer bushing