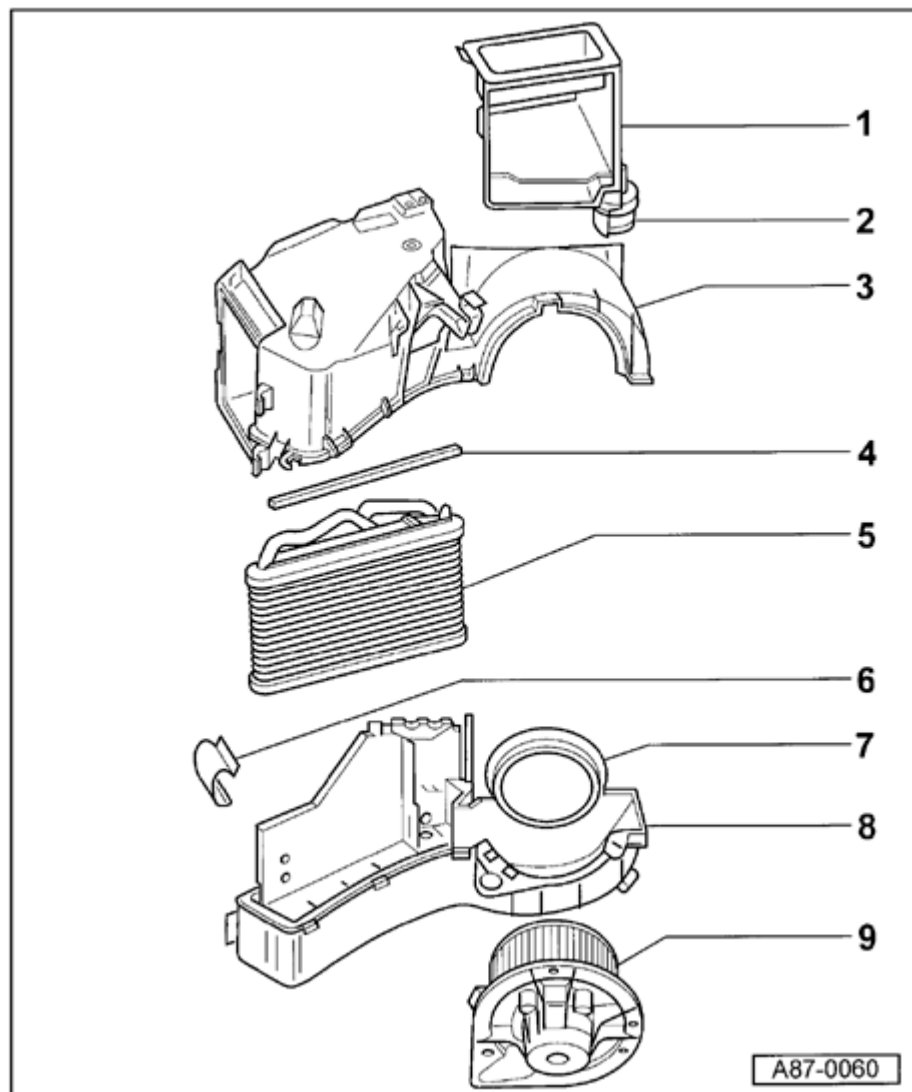


87-181



Evaporator housing, assembly

- Remove heater/air conditioner assembly complete with instrument panel ⇒ [page 87-159](#) .

- Heater/air conditioning assembly ⇒ [page 87-165](#) .

1 - Intake duct

◆ Removing and installing air flow flap ⇒ [page 87-183](#)

◆ Coat sealing surfaces of housing halves with silicone rubber before assembling

2 - Fresh/recirculating air flap vacuum unit

◆ Removing and installing ⇒ [page 87-186](#)

3 - Top part of evaporator housing

4 - Gasket

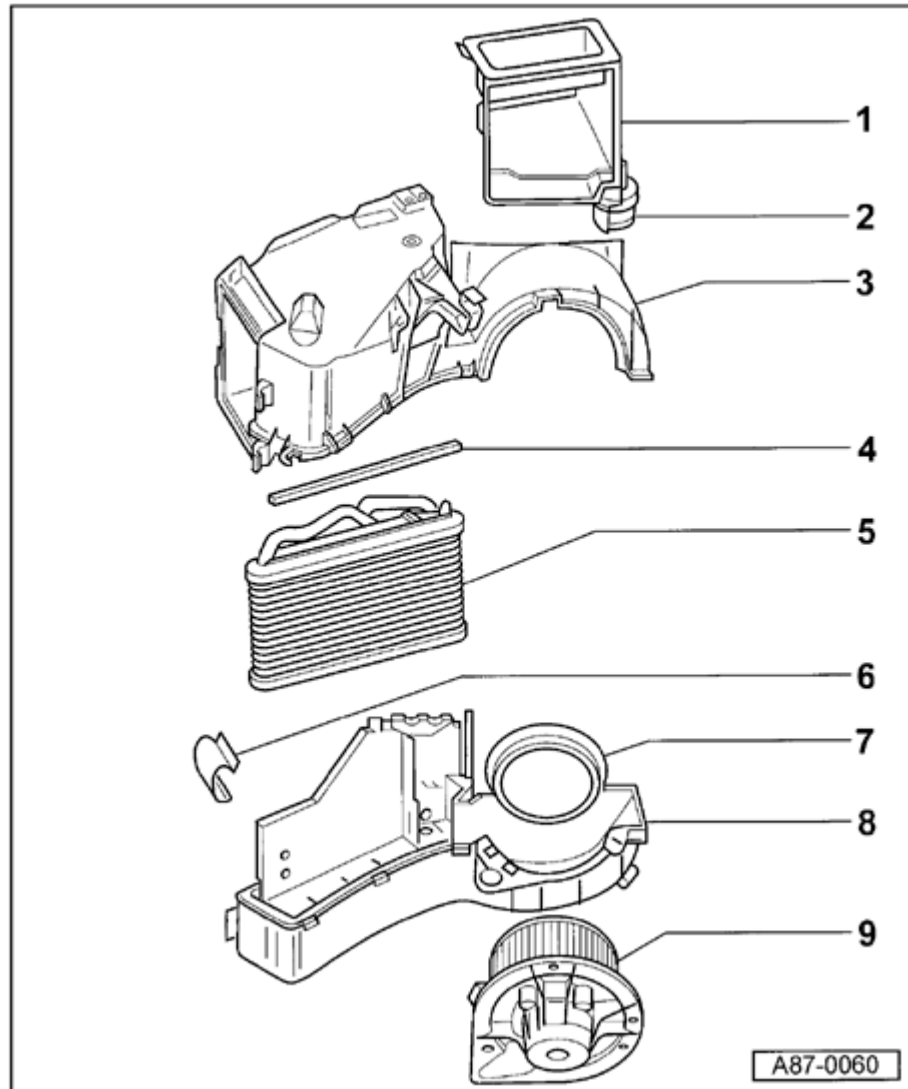
◆ Glued into top part of evaporator housing

5 - Evaporator

6 - Retaining clip

◆ Carefully pry off with screwdriver

87-182

**7 - Intake ring**

- ◆ Secured from turning by cast stud on bottom half of housing

8 - Bottom part of evaporator

- ◆ Coat sealing surfaces to upper housing half with silicone rubber before assembling

9 - Fresh air blower -V2-

1996 vehicles:

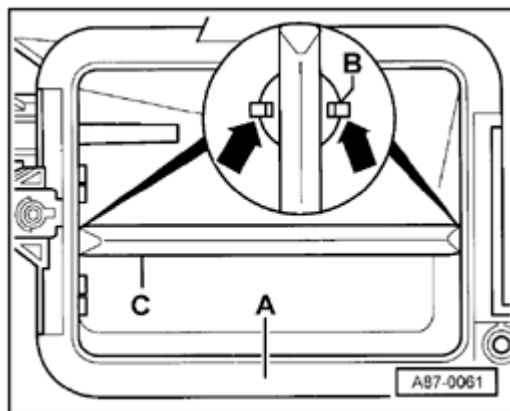
- ◆ Removing and installing ⇒ [page 87-129](#)

1997 ➤ vehicles:

- ◆ Removing and installing ⇒ [page 87-130](#)

Air flow flap, removing and installing

- Remove heater/air conditioner assembly complete with instrument panel ⇒ [page 87-159](#) .
- Remove flap motor V71 for air flow flap:
 - ◆ 1996 vehicles ⇒ [page 87-146](#) .
 - ◆ 1997 ➤ vehicles ⇒ [page 87-147](#) .



- ▲ - Separate intake duct -A- from evaporator housing ⇒ [page 87-181](#) .
- Press back both catches -B- and remove both bearings.
- Remove air flow flap -C-.
- Install in reverse order of removal.

Note:

Insert air flow flap correctly (longer side of air flow flap faces in direction of travel and the teeth of the bearing face down).