

Relay panel, fuse panel

CAUTION!

Disconnect the battery Ground (GND) strap before working on the electrical system.

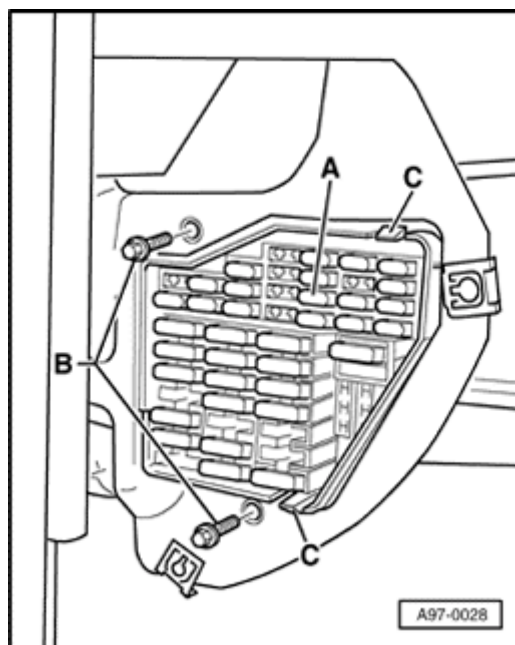
Notes:

- ◆ *Before disconnecting the battery, determine the correct coding for the anti-theft radio.*
- ◆ *After reconnecting the battery, check and activate the vehicle's electrical equipment (radio, clock, comfort and convenience features, etc.) as outlined in this Repair Manual or the Owner's Manual.*

Fuse panel, removing and installing

- Carefully pry off side cover from instrument panel.

- A**
- Remove both mounting bolts -B- (2 Nm or 18 in. lb), then depress tabs -C- and remove fuse panel -A- toward rear.



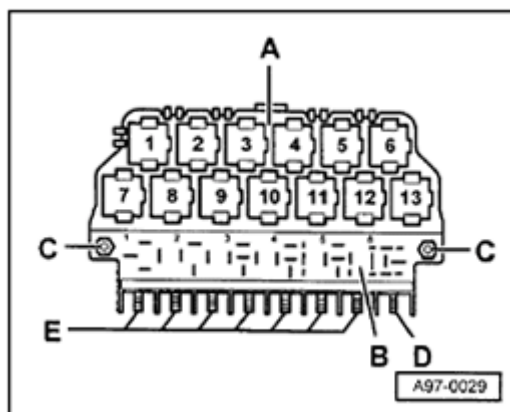
Central electric unit and relay panel, removing and installing

Note:

The relay panel is only required for certain optional equipment, and is not standard equipment.

- Remove driver's-side knee bar.

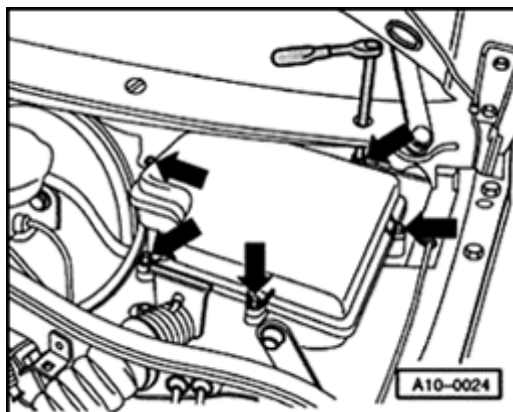
⇒ [Repair Manual, Body Interior, Repair Group 68](#)



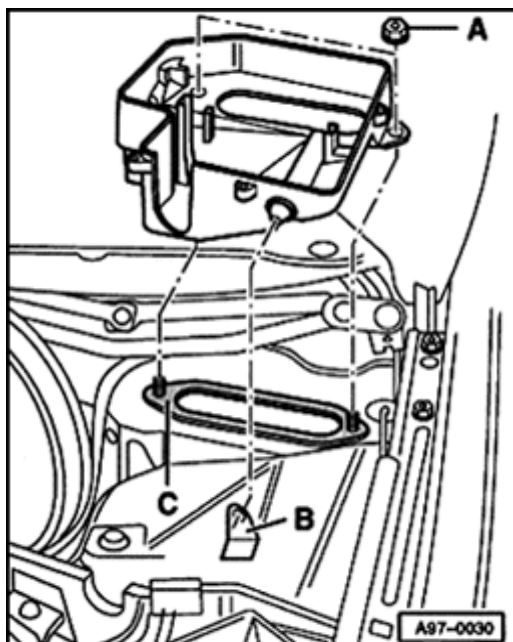
A

- Remove both mounting bolts -C- (2 Nm or 18 in. lb) and disconnect all screw connections -D- and -E- if necessary.
- Pull out relays and control modules and then unclip relevant relay panel.
- Remove central electric unit -B- and relay panel -A- from bottom.

Electronics box (E-box) in plenum chamber, removing and installing



- A**
- Remove mounting bolts (arrows) and pull off cover.
 - When installing, press cover on by hand and tighten mounting bolts in diagonal sequence. Tightening torque: 4 Nm (35 in. lb) (also see information on cover).
 - Remove engine control module and, if necessary, remove auxiliary relay panel/auxiliary fuse panel ⇒ [Page 97-5](#) .
 - Disconnect harness connector at connector station.
 - Pull out engine wiring harness together with rubber grommet from opening in electronics box.



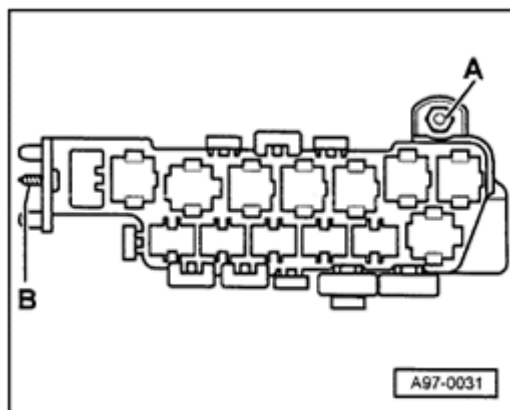
- A**
- Remove both nuts -A- (4 Nm or 35 in. lb).
 - Lift electronics box off studs at rear and pull out of mount -B-.

Note the following when installing:

- Install in reverse order of removal.
- Always replace seal -C-: seal must not overlap opening in body and edge of sheet metal.

Auxiliary relay panel/auxiliary fuse panel, removing and installing

Location: in footwell, bottom left.



A

- Remove nut -A- (2 Nm or 18 in. lb) and self-tapping screw -B-.
- Remove relay and control module, unclip relay carrier and, if necessary, unclip auxiliary relay panel.
- Pull out auxiliary relay panel from retainers and remove from below.
- Install in reverse order of removal.