

Interior lights, servicing

CAUTION!

Disconnect the battery Ground (GND) strap before working on the electrical system.

Notes:

- ◆ *Before disconnecting the battery, determine the correct coding for the anti-theft radio.*
- ◆ *After reconnecting the battery, check and activate the vehicle's electrical equipment (radio, clock, comfort and convenience features, etc.) as outlined in this Repair Manual or the Owner's Manual.*

Front reading/interior lights, removing and installing

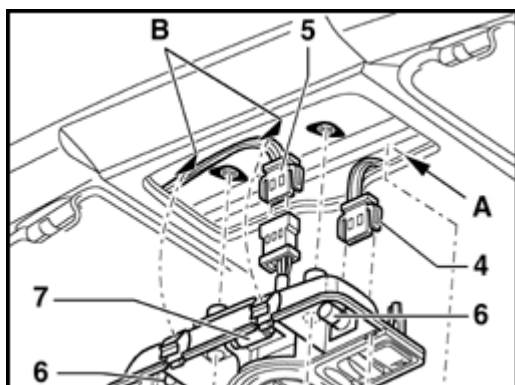
Front reading/interior lights with sunroof switch

Notes:

- ◆ To replace the bulb, pry off the lens.
- ◆ Bulb for interior light -7-: 12 V, 10 W
- ◆ Bulb for reading lights -6-: 12 V, 5 W

Removing

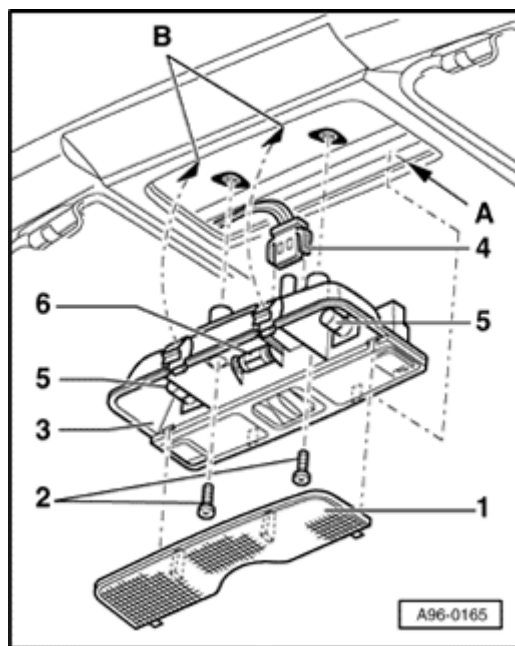
- Carefully pry off lens -1- using flat screwdriver.
- Remove both Phillips-head screws -2-.
- Pry out hooks at -B- using screwdriver and then remove interior/reading light with sunroof switch -3- from roof.
- Disconnect both harness connectors -4- and -5-.



Installing

- Connect harness connectors -4- and -5-.

- Insert interior/reading lights with sunroof switch -3- at -A-, and clip it in on opposite side at -B-.
- Secure with Phillips-head screws -2- and reinstall lens -1-.



A Interior/reading lights without sunroof switch

Notes:

- ◆ To replace the bulb, pry off the lens.
- ◆ Bulb for interior light -6-: 12 V, 10 W
- ◆ Bulb for reading lights -5-: 12 V, 5 W

Removing

- Carefully pry off lens -1- using flat screwdriver.
- Remove both Phillips-head screws -2-.
- Pry out hooks at -B- using screwdriver and then remove interior/reading light -3- from roof.
- Disconnect harness connector -4-.

Installing

- Connect harness connector -4-.
- Insert interior/reading light -3- at -A-, and clip it in on opposite side at -B-.
- Secure with Phillips-head screws -2- and reinstall lens -1-.

Rear interior/reading lights, removing and installing (sedan)

Notes:

- ◆ To change bulbs, remove the rear reading lights.
- ◆ Bulb for reading light: 12 V, 5 W (2x)

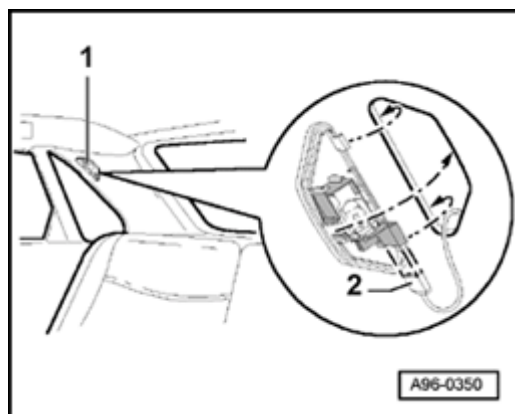
Removing

A

- Carefully pry out interior/reading light -1- using flat screwdriver.
- Disconnect harness connector -2-.

Installing

- Install in reverse order of removal.



Trunk lights, removing and installing

Notes:

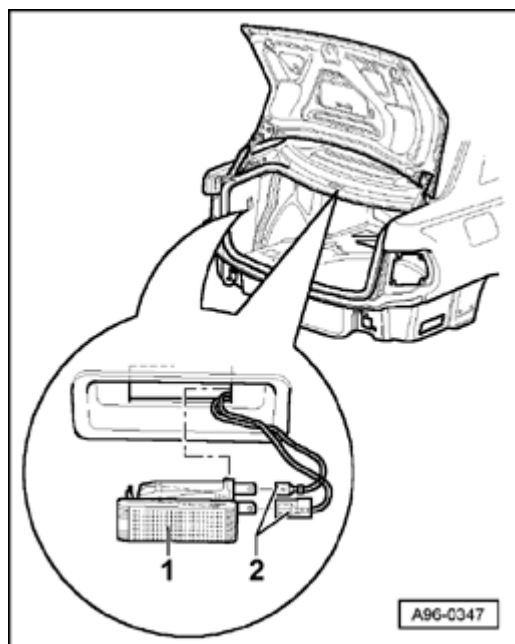
- ◆ To change bulbs, remove trunk lights.
- ◆ Bulb for trunk light: 12 V, 5 W (2x)

Removing

- ▲ - Carefully pry out trunk light -1- using flat screwdriver.
- Disconnect harness connector -2-.

Installing

- Install in reverse order of removal.



Glove compartment light, removing and installing

Notes:

- ◆ To change bulbs, remove glove compartment light.
- ◆ Bulb for glove compartment light: 12 V, 5 W

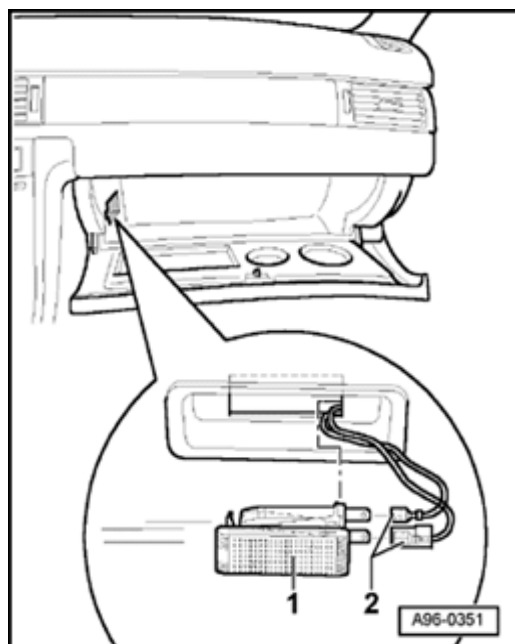
Removing

A

- Carefully pry out glove compartment light -1- using flat screwdriver.
- Disconnect harness connector -2-.

Installing

- Install in reverse order of removal.



Footwell lights, removing and installing

Note:

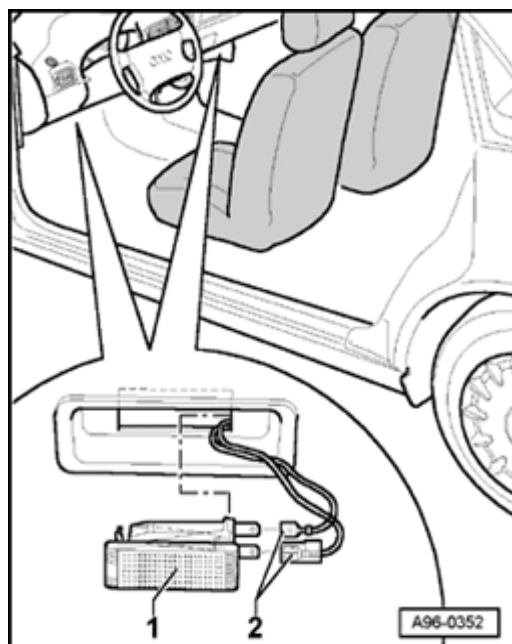
- ◆ To change bulbs, remove footwell lights.
- ◆ Bulb for footwell light: 12 V, 5 W (2x)

Removing

- A - Carefully pry out footwell light -1- using flat screwdriver.
- Disconnect harness connector -2-.

Installing

- Install in reverse order of removal.



Vanity mirror light, removing and installing

Note:

The vanity mirror light is integrated into the sun visor. The entire sun visor must be replaced when there is a malfunction.

- Remove sun visor.

⇒ [Repair Manual, Body Interior, Repair Group 70](#)