

Lock cylinder heating, servicing

CAUTION!

Disconnect the battery Ground (GND) strap before working on the electrical system.

Notes:

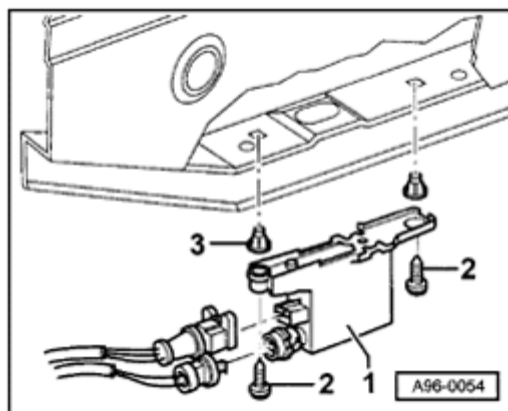
- ◆ *Before disconnecting the battery, determine correct coding for the anti-theft radio.*
- ◆ *After reconnecting the battery, check and activate the vehicle's electrical equipment (radio, clock, comfort and convenience features, etc.) as outlined in this Repair Manual or the Owner's Manual.*

Heated door lock control module, removing and installing

Removing

- Remove door trim.

⇒ [Repair Manual, Body Interior, Repair Group 70](#)



A

- Remove screws -2- from plastic nuts -3-.
- Disconnect harness connector and remove control module -1-.

Installing

- Install in reverse order of removal.