

Steering column switch, servicing

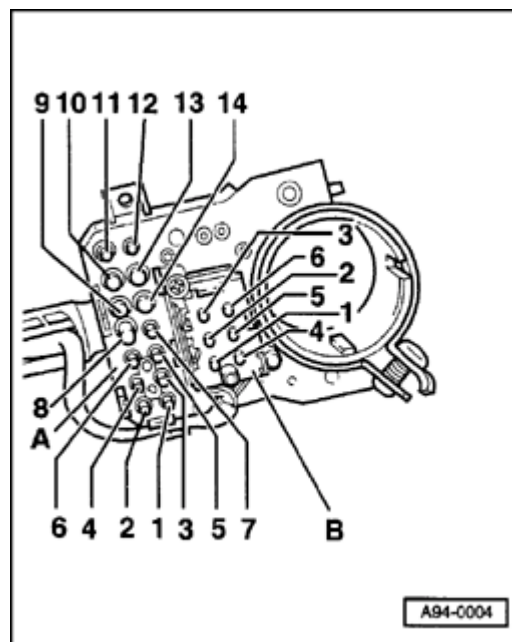
CAUTION!

Disconnect the battery Ground (GND) strap before working on the electrical system.

Notes:

- ◆ *Before disconnecting the battery, determine the correct coding for the anti-theft radio.*
- ◆ *After reconnecting the battery, check and activate the vehicle's electrical equipment (radio, clock, comfort and convenience features, etc.) as outlined in this Repair Manual or the Owner's Manual.*

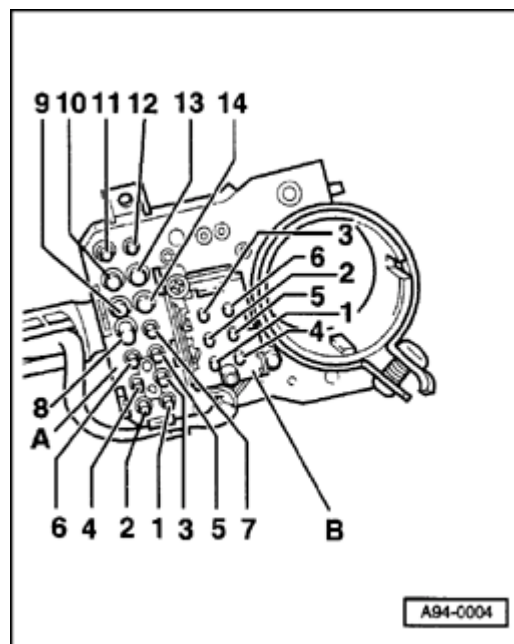
Steering column switch, terminal assignments



A Terminal assignments for light switch, turn signal switch, headlight dimmer switch and flasher, parking light switch and cruise control

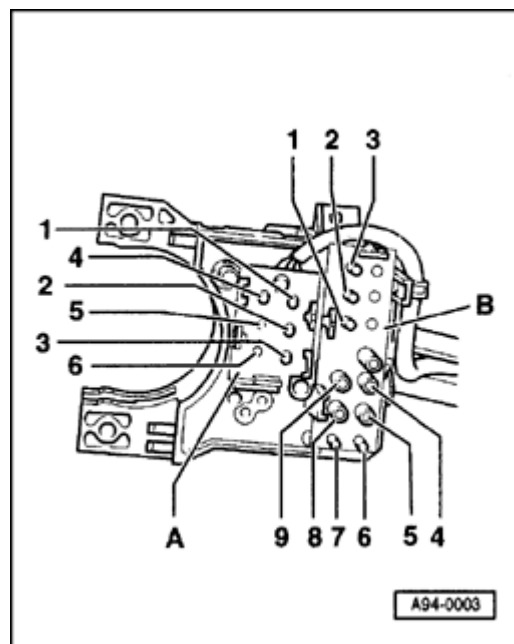
A - 14-pin harness connector

- 1 - Light switch, terminal 58
- 2 - Switch, terminal 14
- 3 - Light switch, headlight dimmer switch and flasher, terminal 30
- 4 - Light switch and headlight dimmer switch and flasher, terminal 30
- 5 - Switch for parking light, terminal PL
- 6 - Switch for parking light, terminal P
- 7 - Switch for parking light, terminal PR
- 8 - Light switch, terminal 11 (daytime running lights/dimmer lighting)
- 9 - Headlight dimmer switch and flasher, terminal 56 b
- 10 - Headlight dimmer switch and flasher, terminal 56 a
- 11 - Headlight dimmer switch and flasher, terminal 56
- 12 - Light switch, terminal 1 (daytime running lights/dimmer lighting)
- 13 - Light switch, terminal X
- 14 - Light switch, terminal 3 (daytime running lights/dimmer lighting)



A B - 6-pin connector, cruise control system

- 1 - On and resume
- 2 - Resume
- 3 - Set
- 4 - Terminal 15
- 5 - On, resume, and off (click stop engaged)
- 6 - Input from control module, terminal 3



A Wiper switch pin assignment

A - 6-pin connector

- 1 - Board computer, reset
- 2 - Board computer, Terminal 31
- 3 - Board computer, right rocker switch
- 4 - Board computer, left rocker switch
- 5 - open
- 6 - open

B - 13-pin harness connector

- 1 - Wiper switch, terminal J
- 2 - Wiper switch, terminal 53 c
- 3 - Emergency light (hazard light) switch, terminal R
- 4 - Wiper switch, terminal 53 b
- 5 - Wiper switch, terminal 53 a
- 6 - Emergency light (hazard light) switch, terminal L
- 7 - Emergency light (hazard light) switch, terminal 49 a
- 8 - Wiper switch, terminal 53 e
- 9 - Wiper switch, terminal 53