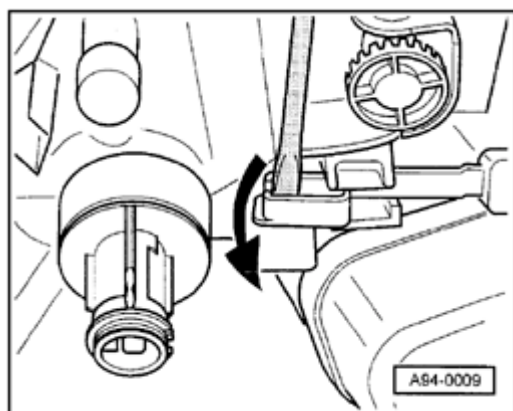


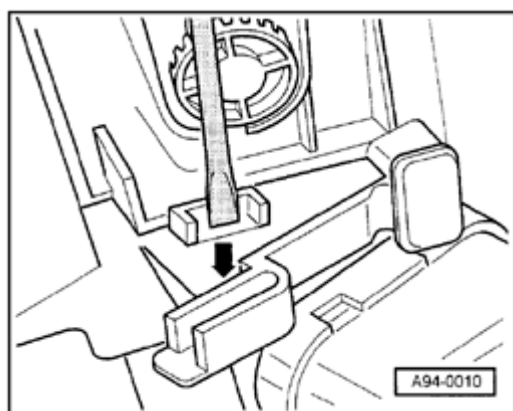
Front turn signals, removing and installing

Note:

Turn signals can be removed with headlight assemblies installed.

**A**

- Carefully press out release lever toward rear using screwdriver.
- The position of the release lever depends on the headlight version:
- ◆ Standard headlights: release lever is attached to headlight housing
 - ◆ Three-way headlights: release lever is attached to turn signal

**A**

- Press catch (lever) slightly down (arrow) and push turn signal lens out toward front.
- Disconnect harness connector and rotate and remove bulb assembly.