

## Front fog lights, servicing

### Front fog lights, removing and installing

#### **CAUTION!**

***Disconnect the battery Ground (GND) strap before working on the electrical system.***

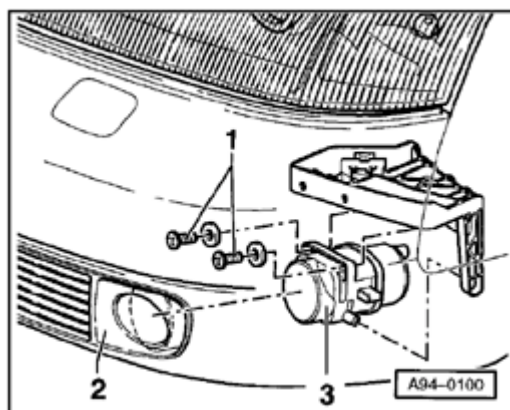
#### **Notes:**

- ◆ *Before disconnecting the battery, determine the correct coding for the anti-theft radio.*
- ◆ *After reconnecting the battery, check and activate the vehicle's electrical equipment (radio, clock, comfort and convenience features, etc.) as outlined in this Repair Manual or the Owner's Manual.*

- Remove bumper

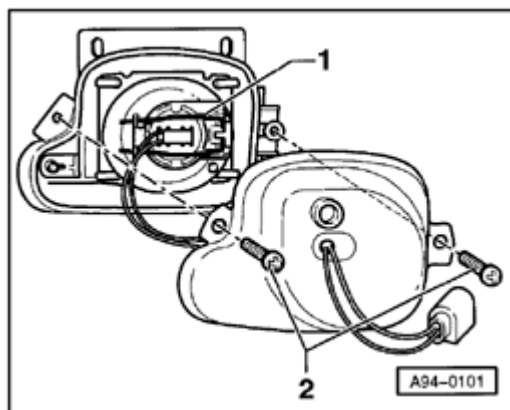
⇒ [Repair Manual, Body Exterior, Repair Group 63](#)

### Removing

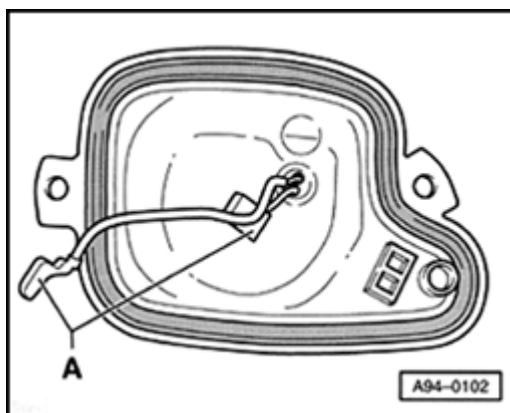


- Pry out plastic cover -2- and towing lug cover (right side) toward front.
- Remove two Torx<sup>®</sup> screws -1- (later Phillips-head screws).
- Remove headlight insert -3-.
- Disconnect harness connector.

94-19



- A**
- Remove Phillips-head screws -2- on housing cover.
  - Release bulb retaining spring -1- and remove light socket from housing.



- A**
- Remove lamp connector -A- from cable connector in housing cover.

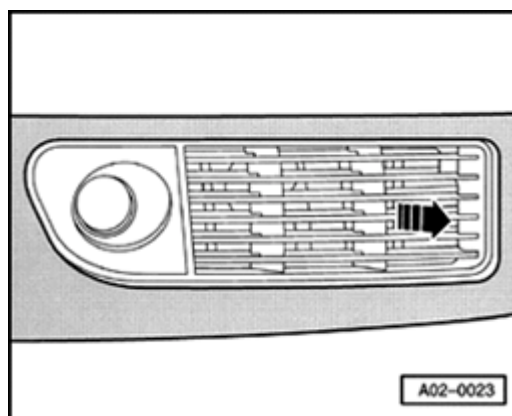
### Installing

- Insert new bulb into light socket without touching glass with bare hands.
- Secure light socket with bulb retaining spring.
- Reconnect harness connector and close housing cover.
- Remainder of installation is in reverse order of removal.
- Adjust front fog lights after installing ⇒ [Page 94-20](#) .

## Front fog lights, adjusting

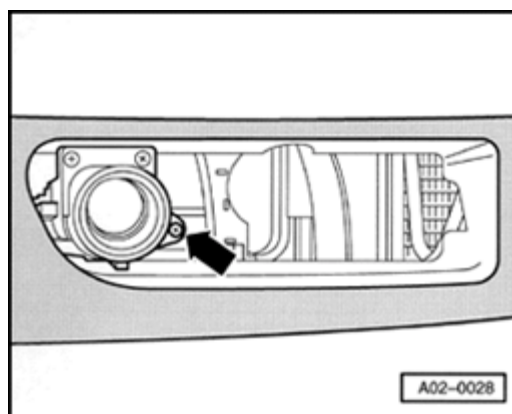
For adjustment specifications:

⇒ [Repair Manual, Maintenance](#)



A

- Pull off covers (arrow) from bottom part of bumper.



A

- Turn adjusting screw (arrow) counterclockwise to lower headlight level. No lateral adjustment is provided.

### **Note:**

*The illustration shows the right front fog light. For the left front fog light, the adjusting screw is in the mirror-image position.*